

ULTRA-CAPACITY GRADE



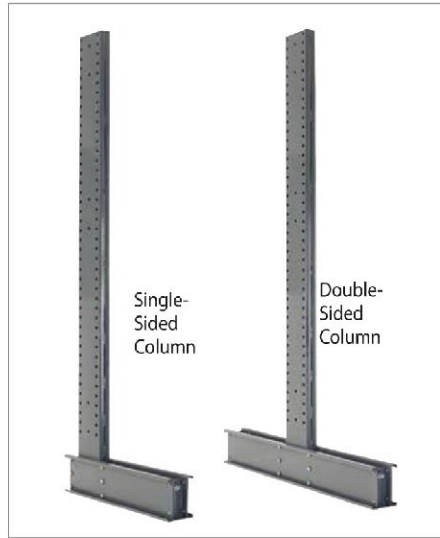
Ultra-Capacity Grade Cantilever Rack Components

- Single-sided column capacity: up to 21,900 lbs.
Double-sided column capacity: up to 43,800 lbs.
- Arm capacity: up to 4000 lbs.
- 12' and 14' heights

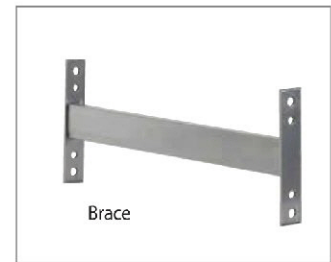


UP TO 4000-LB.
CAPACITY PER ARM

Your best choice for the heaviest steel, lumber, pipe, and tubing. Capacities are based on evenly distributed loads. Gray enamel finish. Made in USA.



Straight Arm with Lip



Brace

Columns. 7-gauge steel.

Overall Height	For Arm Length	Max. Cap./ Side Lbs.	SINGLE-SIDED COLUMN. Sold individually.		DOUBLE-ARM COLUMN*. Sold individually.	
			Base Depth	Stock No.	Base Depth	Stock No.
12'	36"	21,900	52"	7391400-5	84"	7395500-5
12'	48"	17,700	64"	7391500-5	108"	7395600-5
12'	60"	14,900	76"	7393100-5	132"	7395700-5
14'	36"	21,000	52"	7393300-5	84"	7395900-5
14'	48"	17,600	64"	7394000-5	108"	7396000-5
14'	60"	14,600	76"	7394100-5	132"	7396100-5
16'	36"	20,500	52"	7395100-5	84"	7396300-5
16'	48"	17,200	64"	7395200-5	108"	7396400-5
16'	60"	14,400	76"	7395300-5	132"	7396500-5

*Maximum capacity for double column is twice value shown.

Straight Arms. 7- and 10-gauge steel. Arms adjust on 3" centers. Pin assembly included.

Arm Length	Arm Cap. Lbs.	WITH LIP		NO LIP	
		Stock No.	Stock No.	Stock No.	Stock No.
36"	2175	7396601-5	7396602-5	7396602-5	7396602-5
36"	3400	7396901-5	7396902-5	7396902-5	7396902-5
48"	1630	7397001-5	7397002-5	7397002-5	7397002-5
48"	2000	7397101-5	7397102-5	7397102-5	7397102-5
48"	2500	7397201-5	7397202-5	7397202-5	7397202-5
48"	3000	7397301-5	7397302-5	7397302-5	7397302-5
48"	4000	7397401-5	7397402-5	7397402-5	7397402-5
60"	1300	7397501-5	7397502-5	7397502-5	7397502-5
60"	1650	7397601-5	7397602-5	7397602-5	7397602-5
60"	2000	7398001-5	7398002-5	7398002-5	7398002-5

Brace Sets for Columns. 3" C-channel steel. Hardware included.

Brace Width	FOR 12-14' COLUMNS		FOR 16' COLUMNS INCLUDING X-BRACING.	
	Brace Qty.	Stock No.	Brace Qty.	Stock No.
4'	Set of 3	7398100-5	Set of 4	7384500-5
5'	Set of 3	7398200-5	Set of 4	7387900-5
6'	Set of 3	7398500-5	Set of 4	7388200-5
8'	Set of 3	7399100-5	Set of 4	7388300-5

HEAVY-INDUSTRIAL GRADE



Heavy-Industrial Grade Cantilever Racks

- *Single-sided column capacity: up to 15,900 lbs.*
- *Double-sided column capacity: up to 31,800 lbs.*
- *Arm capacity: up to 1600 lbs.*
- *8' and 12' heights*

One-piece welded square arms add rigidity and strength. Rectangular columns have internal stiffeners at brace connecting points. Double tube braces. Arms are constructed of 3" sq. tube that is welded to a heavy steel saddle. Arms adjust on 3" centers. Accepts fork truck as well as hand loading. Made in USA. **SELECTED MODELS IN STOCK.**



Complete Cantilever Systems

Includes straight arms with lip and hardware. Ships assembled.

Overall Height	Base Depth	Cap. Lbs.	Arm Cap. Lbs.	Brace Width	STARTER		ADD-ON	
					Arm Length	Stock Number	Arm Length	Stock Number
SINGLE-SIDED COLUMN								
8'	46"	9,000	1150	(Set of 2) 6'	(8) at 36"	7631100-S	(4) at 36"	7631300-S
12'	58"	8,950	900	(Set of 3) 6'	(8) at 48"	7631200-S	(4) at 48"	7631400-S
DOUBLE-SIDED COLUMN								
8'	82"	18,000	1150	(Set of 2) 6'	(16) at 36"	7631500-S	(8) at 36"	7631800-S
12'	106"	17,900	900	(Set of 3) 6'	(16) at 48"	7631600-S	(8) at 48"	7631900-S

Components

Columns. Includes hardware. Ships unassembled.

Overall Height	For Arm Length	Max. Cap./ Side Lbs.	SINGLE-SIDED COLUMN. Sold individually.		DOUBLE-SIDED COLUMN.* Sold individually.	
			Base Depth	Stock No.	Base Depth	Stock No.
8'	24"	12,000	37"	7082000-S	65"	7082600-S
8'	36"	9,000	46"	7082100-S	82"	7082700-S
8'	48"	7,200	58"	7082200-S	106"	7082800-S
12'	24"	15,900	37"	7082300-S	65"	7082900-S
12'	36"	11,900	46"	7082400-S	82"	7083000-S
12'	48"	8,950	58"	7082500-S	106"	7083100-S

*Maximum capacity for double column is twice value shown.

Straight Arms

Includes pin assembly.

Overall Length	Arm Cap. Lbs.	NO LIP	WITH LIP
		Stock No.	Stock No.
24"	1600	7083200-S	7083300-S
36"	1150	7083400-S	7083500-S
48"	900	7083600-S	7083700-S

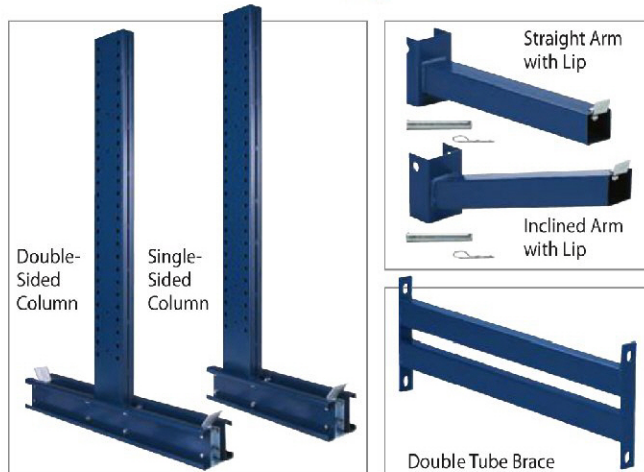
Inclined Arm with Lip.

Overall Height	Arm Cap. Lbs.	Stock Number
24"	1600	7083800-S

Brace Sets for Columns.

Includes hardware. *Specify brace width: (01) 3'; (02) 4'; (03) 6'.*

Column Height	Brace Qty.	Stock Number
8'	Set of 2	70839-S
12'	Set of 3	70840-S



Ships same day for 1-3 day delivery

Ships 1-5 days

Shelving & Racks | CANTILEVER RACKS

STANDARD-INDUSTRIAL GRADE



Shown with one double-sided column and one add-on.



Shown with two single-arm columns. The only manufacturer with Double-Tube Bracing for greater stability.



Rugged Arm Construction. Rigid columns are connected to heavy arm saddles for efficient load support.



Secure Pin Lock for Arms and Braces. Is easily inserted or removed to instantly adjust arms. Pin will not work loose when it is secured.



Steeltree[®] Heavy-Industrial Grade Cantilever Racks

- Single-sided column capacity: up to 16,000 lbs.
- Double-sided column capacity: up to 32,000 lbs.
- Arm capacity: up to 2000 lbs.
- 8', 10', and 12' heights

Tapered columns have patented internal stiffeners. 10-gauge steel columns. Straight arm with lip adjusts on 3" centers. Made in USA. *SELECTED MODELS IN STOCK.*

Complete Cantilever Systems, Includes hardware. Ships unassembled.

Overall Height	Base Depth	Cap. Lbs.	Arm Cap. Lbs.	Brace Width	STARTER		ADD-ON		
					Arm Length	Stock No.	Arm Length	Stock No.	
SINGLE-SIDED COLUMN									
8'	37"	16,000	2000	(Set of 2) 6'	(8) at 24"	7640900-S	(4) at 24"	7641600-S	
10'	46"	15,600	1300	(Set of 3) 6'	(12) at 36"	7641400-S	(6) at 36"	7641700-S	
12'	58"	16,000	1000	(Set of 3) 6'	(8) at 48"	7641500-S	(4) at 48"	7641800-S	
DOUBLE-SIDED COLUMN									
8'	65"	32,000	2000	(Set of 2) 6'	(16) at 24"	7641900-S	(8) at 24"	7642600-S	
10'	82"	31,200	1300	(Set of 3) 6'	(24) at 36"	7642400-S	(12) at 36"	7642700-S	
12'	106"	20,000	1000	(Set of 3) 6'	(16) at 48"	7642500-S	(8) at 48"	7642800-S	

STANDARD-INDUSTRIAL GRADE

Components

Columns. Includes hardware. Ships unassembled.

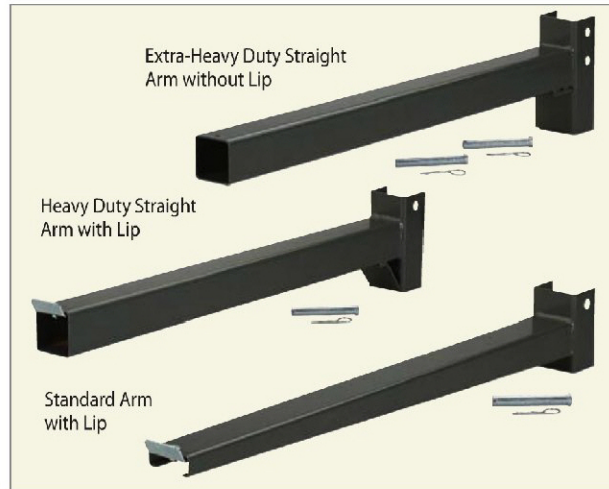
Overall Height	Arm Length	Max. Cap./Side Lbs.	SINGLE-ARM COLUMN— Sold individually		DOUBLE-ARM COLUMN— Sold individually	
			Stock Number	Base Depth	Stock No.	Base Depth*
8'	12", 18"	18,520, 14,950	7351300-S	31"	7352500-S	53"
8'	24"	12,530	7351400-S	37"	7352600-S	65"
8'	30", 36"	10,780, 9,460	7351500-S	46"	7352700-S	82"
8'	42", 48"	8,430, 7,600	7351600-S	58"	7352800-S	106"
10'	12", 18"	26,650, 20,640	7351700-S	31"	7352900-S	53"
10'	24"	16,860	7351800-S	37"	7353000-S	65"
10'	30", 36"	14,250, 12,340	7351900-S	46"	7353100-S	82"
10'	42", 48"	10,880, 9,730	7352000-S	58"	7353200-S	106"
10'	54", 60"	8,800, 8,030	7356900-S	70"	7359100-S	130"
12'	12", 18"	26,300, 20,450	7352100-S	31"	7353300-S	53"
12'	24"	16,730	7352200-S	37"	7353400-S	65"
12'	30", 36"	14,160, 12,270	7352300-S	46"	7353500-S	82"
12'	42", 48"	10,830, 9,690	7352400-S	58"	7353600-S	106"
12'	54", 60"	8,760, 8,000	7359000-S	70"	7360200-S	130"
15'	24"	16,540	7357000-S	37"	7357400-S	65"
15'	30", 36"	14,020, 12,170	7357100-S	46"	7357500-S	82"
15'	42", 48"	10,750, 9,620	7357200-S	58"	7357600-S	106"
15'	54", 60"	8,710, 7,560	7357300-S	70"	7357700-S	130"

*Maximum capacity for double column is twice value shown.



Straight Arms. Pin assembly included.

Overall Length	Arm Cap. Lbs.	NO LIP	WITH LIP
		Stock No.	Stock No.
EXTRA HEAVY-DUTY ARMS			
36"	3300	7357900-S	7381200-S
48"	2500	7368100-S	7381300-S
HEAVY-DUTY ARMS			
36"	2175	7356600-S	7370900-S
48"	1630	7356800-S	7380600-S
STANDARD ARMS			
12"	3000	7353700-S	7353800-S
18"	2500	7353900-S	7354000-S
24"	2000	7354100-S	7354200-S
30"	1600	7354300-S	7354400-S
36"	1300	7354500-S	7354600-S
42"	1145	7354700-S	7354800-S
48"	1000	7354900-S	7355000-S
54"	890	7360600-S	7360700-S
60"	800	7360800-S	7360900-S



Inclined Arms. Do not have lip. Pin assembly included.

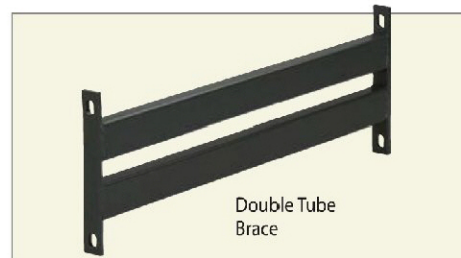
Overall Lgth.	Arm Cap. Lbs.	Stock No.
12"	3000	7355100-S
18"	2500	7355200-S
24"	2000	7355300-S



Brace Sets for Columns.

3–6 ft. wide column centers. Includes hardware. Specify width: (01) 3', (02) 4', (03) 5', (04) 6'.

Column Height	Brace Qty.	Stock Number
8'	Set of 2	73554-S
10' & 12'	Set of 3	73556-S
15'	Set of 4	73557-S



Ships same day for 1–3 day delivery

Ships 1–5 days

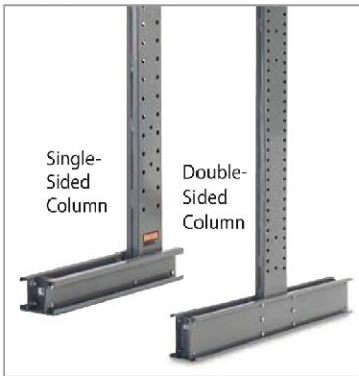
STANDARD-INDUSTRIAL GRADE



Complete double-sided rack shown.



Secure pin lock



Single-Sided Column

Double-Sided Column



Standard-Industrial Grade Cantilever Racks

- Single-sided column capacity: up to 8100 lbs.
- Double-sided column capacity: up to 16200 lbs.
- Arm capacity: up to 1000 lbs.
- 6', 8', and 10' heights

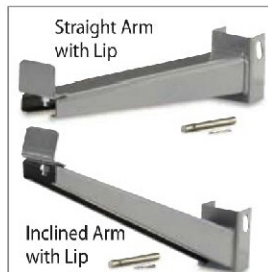
Choose either a complete system or build your own from the available components. Uprights facilitate manual loading and unloading. 12-gauge steel columns. Arms adjust on 3" centers. Capacities are based on evenly distributed loads. Gray enamel finish. Made in USA.

Components

Columns. 12-gauge steel. Includes hardware. Ships assembled.

Overall Height	For Arm Length	SINGLE-SIDED COLUMN		DOUBLE-SIDED COLUMN	
		Base Depth	Stock Number	Base Depth	Stock Number
6'	12" (8100-lb. cap.)	33"	7358100-S	54"	7359500-S
	18" (6600-lb. cap.)				
	24" (5500-lb. cap.)				
6'	30" (4700-lb. cap.)	45"	7358200-S	78"	7359600-S
	36" (4100-lb. cap.)				
	42" (3700-lb. cap.)				
6'	48" (3300-lb. cap.)	57"	7358300-S	102"	7359700-S
	12" (7600-lb. cap.)				
	18" (6300-lb. cap.)				
8'	24" (5300-lb. cap.)	33"	7358700-S	54"	7363100-S
	30" (4500-lb. cap.)				
	36" (4000-lb. cap.)				
8'	42" (3600-lb. cap.)	45"	7358800-S	78"	7363500-S
	48" (3200-lb. cap.)				
	12" (7100-lb. cap.)				
8'	18" (5900-lb. cap.)	57"	7358900-S	102"	7369500-S
	24" (5000-lb. cap.)				
	30" (4000-lb. cap.)				
10'	36" (3800-lb. cap.)	45"	7359300-S	78"	7369700-S
	42" (3400-lb. cap.)				
	48" (3100-lb. cap.)				
10'	12" (7100-lb. cap.)	33"	7359200-S	54"	7369600-S
	18" (5900-lb. cap.)				
	24" (5000-lb. cap.)				
10'	30" (4000-lb. cap.)	45"	7359300-S	78"	7369700-S
	36" (3800-lb. cap.)				
	42" (3400-lb. cap.)				
10'	48" (3100-lb. cap.)	57"	7359400-S	102"	7369800-S
	12" (7100-lb. cap.)				
	18" (5900-lb. cap.)				

NOTE: Double column capacity is twice the corresponding single column capacity.



Straight Arm with Lip

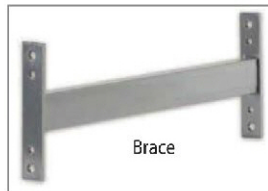
Inclined Arm with Lip

Straight Arms. Includes pin assembly.

Arm Length	Arm Cap. Lbs.	WITH LIP		WITHOUT LIP	
		Stock No.	Stock No.	Stock No.	Stock No.
12"	1000	7369901-S	7369902-S		
18"	750	7370001-S	7370002-S		
24"	600	7370101-S	7370102-S		
30"	500	7370701-S	7370702-S		
36"	400	7371001-S	7371002-S		
48"	300	7377001-S	7377002-S		

Inclined Arms. Includes pin assembly.

Arm Length	Arm Cap. Lbs.	WITH LIP		WITHOUT LIP	
		Stock No.	Stock No.	Stock No.	Stock No.
12"	1000	7377301-S	7377302-S		
18"	750	7379301-S	7379302-S		
24"	600	7379401-S	7379402-S		
30"	500	7379701-S	7379702-S		
36"	400	7379801-S	7379802-S		
48"	300	7380001-S	7380002-S		



Brace

Brace Sets for Columns

Includes hardware. One set of braces is required for column heights up to 10'. Sold in sets of 2.

Brace Width	Stock Number	\$ Set
3'	7380100-S	67.50
4'	7380200-S	78.40
5'	7380300-S	88.90
6'	7380400-S	101.00
8'	7380500-S	123.00

Complete Cantilever Systems. Includes straight arms without lip and hardware. Ships unassembled.

Overall Height	Base Depth	Cap. Lbs.	Arm Cap. Lbs.	Brace Width	STARTER		ADD-ON	
					Arm Length	Stock No.	Arm Length	Stock No.
SINGLE-SIDED COLUMN								
6'	33"	8100	1000	(Set of 2) 4'	(6) at 12"	7668200-S	(3) at 12"	7668300-S
8'	33"	5300	600	(Set of 2) 4'	(8) at 24"	7668400-S	(4) at 24"	7668500-S
DOUBLE-SIDED COLUMN								
6'	54"	16200	1000	(Set of 2) 4'	(12) at 12"	7668600-S	(12) at 12"	7668700-S
8'	54"	10600	600	(Set of 2) 4'	(16) at 24"	7668800-S	(8) at 24"	7668900-S

LIGHT-INDUSTRIAL GRADE



Button-On™ Light-Industrial Grade Cantilever Rack Components

- Single-sided column capacity: 12,000 lbs.
Double-sided column capacity: 24,000 lbs.
- Arm capacity: up to 1000 lbs.
- 7' and 10' heights

Arms "button" to columns via a keyhole shaped slot—no bolts or pins required. Racks can be loaded manually or with a fork truck. Two or more columns can be assembled into a continuous system. Made in USA. *SELECTED MODELS IN STOCK.*



Columns

Overall Height	For Arm Length	SINGLE-SIDED COLUMN (shown)			DOUBLE-SIDED COLUMN		
		Max. Cap./Side Lbs.	Base Depth	Stock Number	Max. Cap./Side Lbs.	Base Depth	Stock Number
7'	12", 16"	12,000	27"	7355800-S	24,000	45"	7355900-S
7'	20", 24"	12,000	35"	7350300-S	24,000	61"	7361000-S
10'	12", 16"	12,000	27"	7350600-S	24,000	45"	7361100-S
10'	20", 24"	12,000	35"	7348200-S	24,000	61"	7361800-S

Arms With Lip. Maximum arms per column side: 7'H is 8 arms (4 levels); 10'H is 12 arms (6 levels). Adjust on 4" centers.

Overall Lgth.	Cap. Lbs. per Pair	STRAIGHT ARM Stock No.	INCLINED ARM Stock No.
12"	1000	7356100-S	7356000-S
16"	1000	7356300-S	7356200-S
20"	850	7362000-S	—
24"	700	7363900-S	—

Brace Sets for Columns. Brace sets provide 3', 6', or 8' column centers. Set of 2.

Brace Width	FOR 7' COLUMNS	FOR 10' COLUMNS
	Stock No.	Stock No.
3'	7356400-S	7365300-S
6'	7356500-S	7366500-S
8'	7365000-S	7366900-S



Quiktree™ Cantilever Racks

- Single-sided column capacity: 3500 lbs.
Double-sided column capacity: 7000 lbs.
- Arm capacity: up to 500 lbs.
- 84"H

14-gauge galvanized steel arms adjust on 1 1/2" centers and tilt up at approximately 5°. Arm end cap can be tipped up for round stock. To form storage rows, begin with starter column, join any number of add-ons. Starters include (2) columns; add-ons include (1) column. Made in USA. *SELECTED MODELS IN STOCK.*



Type	Overall WxD	STARTER		ADD-ON	
		Arm Qty.	Stock Number	Arm Qty.	Stock Number
Single-Arm	36x21"	14	7393600-T	7	7394700-T
Single-Arm	72x21"	14	7393700-T	7	7394800-T
Double-Arm	72x34"	28	7393900-T	14	7395000-T



minitree™ Cantilever Racks

- Single-sided column capacity: 1750 lbs.
Double-sided column capacity: 3500 lbs.
- Arm capacity: up to 250 lbs.
- 76 1/2"H

Arms are bolted to columns on 1 1/2" centers. Includes 7 adjustable levels per side (14 total adjustable levels for double column). Made in USA. *SELECTED MODELS IN STOCK.*



Single-Sided Arm Unit Shown

Overall WxD	Type	Arm Qty.	Stock Number
36x18 1/2"	Single-Arm	14	7392900-S
36x30"	Double-Arm	28	7393000-S

Ships same day for 1-3 day delivery

Ships 1-5 days